

YT8010A

车载 100BASE-T1 以太网物理层收发器

产品简介

YT8010A 是单对以太网物理层收发器 (PHY)，它实现 IEEE802.3bw 定义的 100BASE-T1 标准的以太网物理层。适合广泛的汽车应用，它使用标准 CMOS 工艺制造，实现物理层的功能在单对平衡双绞线上传输和接收数据。

基于先进的 DSP 技术，结合自适应均衡器、回波抵消器、模数转换、锁相环、线路驱动器、编码器/解码器和所有其它需要的 100Mbps 数据速率电路，实现稳健的性能并超过汽车电磁噪声环境中的干扰 (EMI) 要求，功耗非常低。

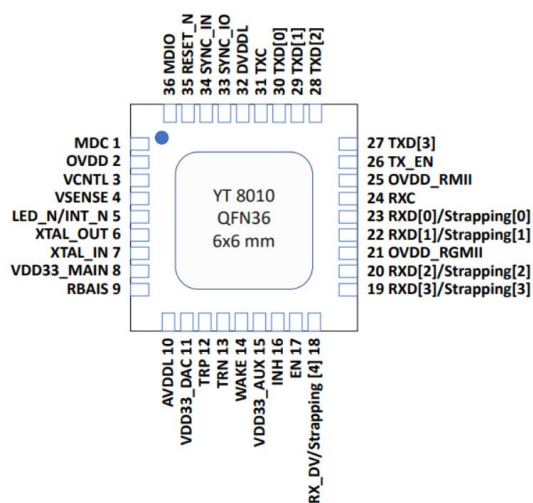
YT8010A 的设计符合 RGMII、RMII 和 MII 接口规范，与行业标准以太网媒体访问控制器兼容 (MAC) 的 CPU 和交换控制器兼容。

YT8010A 提供了汽车行业 OEM 和一级供应商所需全面的汽车技术解决方案，符合 AEC-Q100 一级温度标准。

应用领域

- 汽车信息娱乐系统
- 汽车诊断
- 高级驾驶员辅助系统
- 车身控制电子设备

管脚



This document is copyright of Motorcomm Electronic Technology Co., Ltd. ("Motorcomm"). All rights reserved.

No company or individual may copy, disseminate, disclose or otherwise distribute any part of this document to any third party without the written consent of Motorcomm.

If any company or individual so does, Motorcomm reserves the right to hold it or him liable therefor.

主要功能

- 100BASE-T1 Transceiver
- 100BASE-T1 IEEE 802.3bw standard
- Full duplex
- Rapid linkup
- Support auto cable detection and working mode selection.
- MII/RMII/RGMII support
- RMII/RGMII interface EMI enhancement
- Support latency accommodation of RGMII clock
- Support IEEE 802.1AS
- Support Remote Wake up 3.3V analog supply.
- Advanced low-power management with local wake-up support
- Automotive Cable Diagnostics support
- Integrated LDO regulator allowing a single supply
- Internal/external/remote loopback mode for diagnosis
- Jumbo frame supports up to 16 kB
- Polarity detection and auto/manual correction
- Integrated twisted-pair termination resistors
- AEC-Q100 Grade 1 (-40~125°C)
- Trace matched output impedance
- Integrated low-pass filter
- Robust cable ESD tolerance
- Package QFN 36, 6x6mm

This document is copyright of Motorcomm Electronic Technology Co., Ltd. ("Motorcomm"). All rights reserved.

No company or individual may copy, disseminate, disclose or otherwise distribute any part of this document to any third party without the written consent of Motorcomm.

If any company or individual so does, Motorcomm reserves the right to hold it or him liable therefor.